

## manual filling instructions KeyKeg

### general instructions

When manually filling a KeyKeg, the following items are required:

- KeyKeg filling head with manometer and ball valve
- KeyKeg dispensing head
- Beverage hose
- Filling stand
- Snap-cap
- Carbonated beverage calculator
- Deflating tool
- Beverage pump\*

\* A filling pressure of at least 2.0 bar (29 PSI) is advised when filling a KeyKeg.

Filling the keg with a pressure lower than 2.0 bar may lead to a fill level under the nominal volume of the keg and entrapped air between the bag and container. This can potentially lead to damage of the beverage bag.

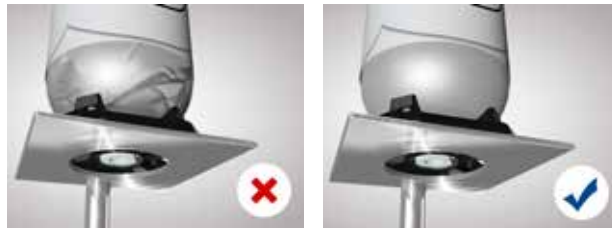


*KeyKeg Manual Filling Starter Box*



## Important

- Do not spill any disinfectant/cleaning agents (e.g. alcohols, alkaline solutions, caustic hydroxides) on the PET of the KeyKeg as it can cause chemical embrittlement and risk to burst.
- To minimize oxygen pick-up, an additional CO<sub>2</sub>/N<sub>2</sub> flush of the bag before filling can be considered. Do not fill up the bag entirely, an amount of approx. 5 liters (1.32 US gallons/1.09 UK gallons) is sufficient.
- Filling needs to be done in upside down position to help the beverage bag unfold correctly. The bag may rupture if the keg is filled in the upright position.
- Check if the beverage bag of the KeyKeg is completely pressed to the container wall. No unfilled spaces should be visible between the bag and the container wall. This in order to prevent possible damage to the bag.



- In case of carbonated beverage: determine the CO<sub>2</sub> equilibrium pressure using the calculator. For most carbonated beverages, a counter pressure of 1 bar (14.5 psi) is sufficient.

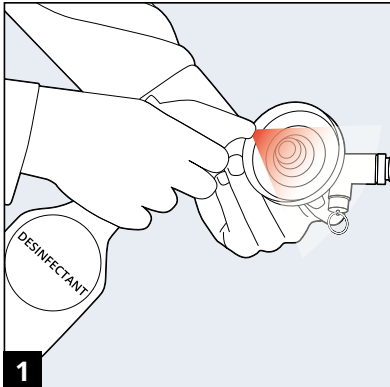
### The weight of the empty KeyKegs:

KeyKeg 10 L	KeyKeg 20 L	KeyKeg 30 L
~1.0 kg - 2.20 lbs (US)	~1.2 kg - 2.60 lbs (US)	~1.5 kg - 3.30 lbs (US)

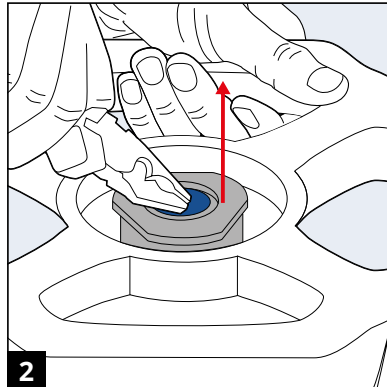


Scan qr-code for manual filling instruction movie

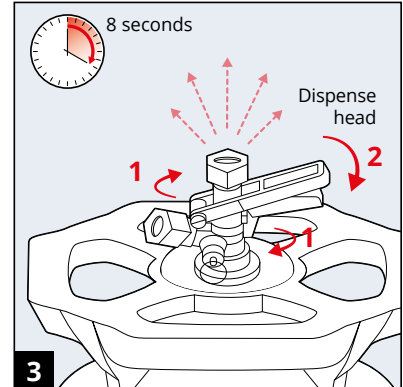
# Manual filling instructions KeyKeg



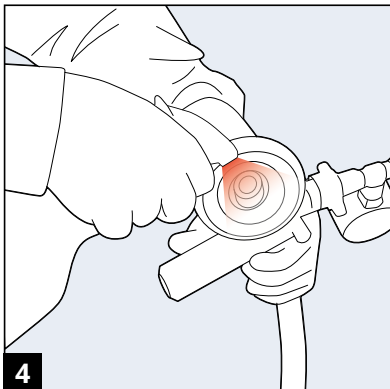
**1** Sanitize dispensing head with disinfectant.



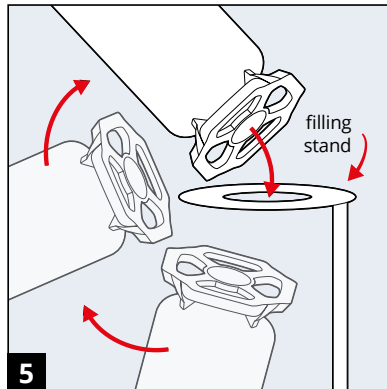
**2** Remove the dust cap and discard. Do not replace the dustcap after filling!



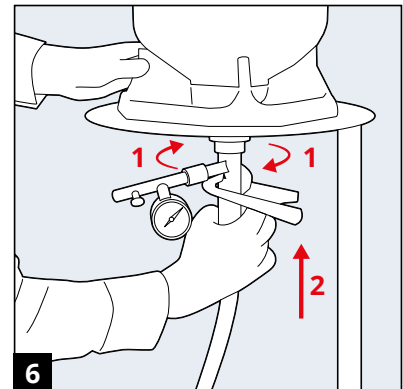
**3** Vent KeyKeg bag for 8 seconds with a KeyKeg dispensing head.



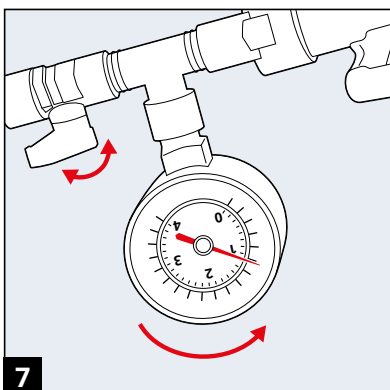
**4** Sanitize KeyKeg filling head with disinfectant and fill line with beverage until top.



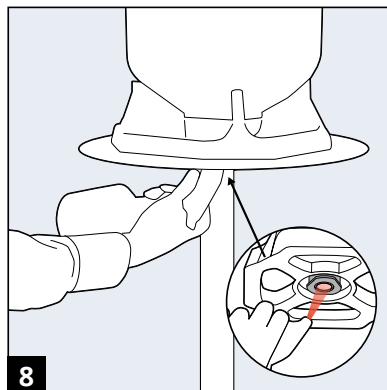
**5** Place the KeyKeg upside-down! The spray the fitting with disinfectant while upside-down.



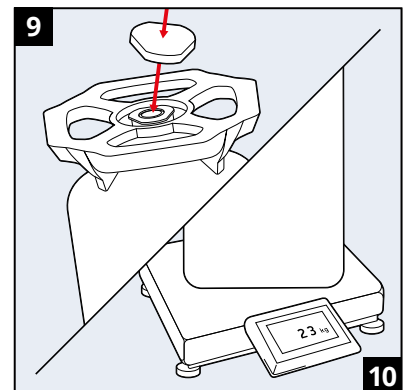
**6** Connect the KeyKeg filling head and open the beverage valve.



**7** Keep counter pressure to a level well over the equilibrium pressure of the beverage and open gas valve gradually. When pressure is '0' leave the beverage valve open for an extra 3 seconds.



**8** Sanitize inside valve with disinfectant and clean with warm water after filling, when still upside down.



**9** Place KeyKeg right-side-up. Weigh the KeyKeg and seal with a snap cap.

